



भारत सरकार/GOVERNMENT OF INDIA  
अंतरिक्ष विभाग/DEPARTMENT OF SPACE  
द्रव नोदन प्रणाली केंद्र/LIQUID PROPULSION SYSTEMS CENTRE  
तिरुवनंतपुरम/THIRUVANANTHAPURAM - 695 547



लोक निविदा (द्विभाग)/PUBLIC TENDER (TWO PART)

भारत के राष्ट्रपति के लिए एवं उनकी ओर से, प्रधान, क्रय व भंडार, द्रव नोदन प्रणाली केंद्र, तिरुवनंतपुरम, एतद्-द्वारा बस ढाँचे के निर्माण के लिए निविदा पृच्छताछ संख्या. AX25 202203769901 के जरिये लोक निविदा (द्विभाग) आमंत्रित करते हैं।

For and on behalf of the President of India, the Head Purchase & Stores, Liquid Propulsion Systems Centre (LPSC), Thiruvananthapuram hereby calls for Public tender (Two part) vide Tender Enquiry No.AX25 202203769901 for BUS BODY FABRICATION

उपर्युक्त निविदा के विवरण अनुलग्नक के रूप में संलग्न हैं।

Details of tender as mentioned above are enclosed as Annexure

इच्छुक विक्रेता अपना प्रस्ताव 15.06.2023 को 14.30 बजे तक या उससे पहले प्रस्तुत करें।  
Interested vendors may submit their offers on or before 15.06.2023 at 14.30 hrs.

  
प्रधान, क्रय व भंडार  
Head, Purchase & Stores

**GOVERNMENT OF INDIA  
DEPARTMENT OF SPACE  
LIQUID PROPULSION SYSTEMS CENTRE  
THIRUVANANTHAPURAM, 695547, KERALA  
VALIAMALA  
PURCHASE & STORES  
INVITATION TO TENDER**

Ph No: 0471-2567 726/813/317/319  
Fax +091-0472-2800712,0471-256730  
Email: head\_ps@lpscv.dos.gov.in

Date : 15/05/2023

M/s

000000

Our Ref No : AX25 2022-037699-01

Tender Due: 14:30 Hrs IST on 15/06/2023

Dear Sirs,

Please submit your sealed quotation , in the Tender Form enclosed here along with the descriptive catalogues / pamphlets / literature ,superscribed with Our Ref.No. and Due Date for the supply of the following items as per the terms & conditions mentioned in Annexure( Form No: DOS:PM:20 )

S.No.	Description of Items with Specifications	Unit	Quantity
1	Fabrication of Type II SDX fully built Bus on "Ashok Leyland Viking 2010.9T6R" chassis by strictly complying with AIS 052 Phase II bus body code as on date and as per the specification and terms and conditions in Annexure I&II.	Nos	4

**DELIVERY AT:** LVF

**MODE OF DESPATCH** BY ROAD

**DUTY EXEMPTIONS** -

**SPECIAL INSTRUCTIONS** NIL

**SPECIFIC TERMS** DOS:PM:20

**INSTRUCTIONS TO TENDERERS:**

- Note:- Specifications & Drawings as per Annexure:-I  
Scope of work & Terms and conditions as per Annexure:- II  
Instruction to TWO PART Tenders as per Annexure:- III  
General terms and conditions as per Annexure:- IV

  
For and on behalf of the President of India  
The Purchaser

**ANNEXURE I****SPECIFICATION FOR BUS BODY BUILDING ON ASHOK LEYLAND VIKING 210"****CHASSIS**

TO BE CONSTRUCTED AS PER AIS 052 BUS BODY CODE, CMV RULE, AIS AND MV ACT OF INDIA

<b>Sl. No.</b>	<b>Description</b>	<b>Specification</b>
<b>1</b>	<b>DIMENSION</b>	
a	Chassis	Ashok Leyland 210" (5334mm) Viking chassis with shackle suspension on front and rear.
b	Wheel base	5334 mm (210")
c	Overall width	2600 mm max.
d	Interior height	1900 mm (min) as per bus body code
e	Height of grab rail	1830 mm
f	Overall length	10500 to 11000 mm max
g	Front overhang	2000 to 2500 max
h	Rear overhand	(Max 60% of WB)
i	Overall Height	3110 mm (Max 3500 mm)
<b>2</b>	<b>STRUCTURE</b>	
a	Floor Longitude	3 mm GI Sections of different cross sections
b	Floor cross bearers	ISMC 100 X 50 X 6 mm
c	Main pillar	GI Tube 60 X 40 X 2.6 mm
d	Stump pillar	GI Tube 60 X 40 X 2.6 mm
e	Skirt rail	GI Tube 40 X 40 X 2 mm
f	Anti drumming rail	GI Tube 40 X 40 X 2 mm
g	Waist rail	GI Tube 40 X 40 X 2 mm
h	Roof stick	GI Tube 40 X 40 X 2 mm
i	Roof longitudes	2 mm GI sheets of different cross sections (U,Z,C,L etc.)
<b>3</b>	<b>PANNELLING EXTERIOR</b>	
a	Waist rail to rub rail	1 mm GI stretched sheet
b	Rub rail to skirt rail	1.22 mm GI sheet
c	Front face	Elegant looking front show of aerodynamic design with single piece wind shield glass. The front face shall be made up of molded FRP or in metal. Front grill should be sufficiently large for the maintenance of vehicle.
d	Rear end	Elegant looking metallic or moulded FRP with single piece 5 mm toughened glass.
e	Roof	1mm stretched GI sheet
f	Front bumper	FRP/Metal
g	Rear Bumper	FRP/Metal
<b>4</b>	<b>PANELING INTERIOR</b>	
a	Body sides- truss panel	0.8 PPGL / PVC Coated aluminum sheet(1mm/0.8mm)
b	Waist panel	0.8 PPGL / PVC Coated aluminum sheet(1mm/0.8mm)
c	Window finishers	0.8 PPGL / PVC Coated aluminum sheet(1mm/0.8mm)

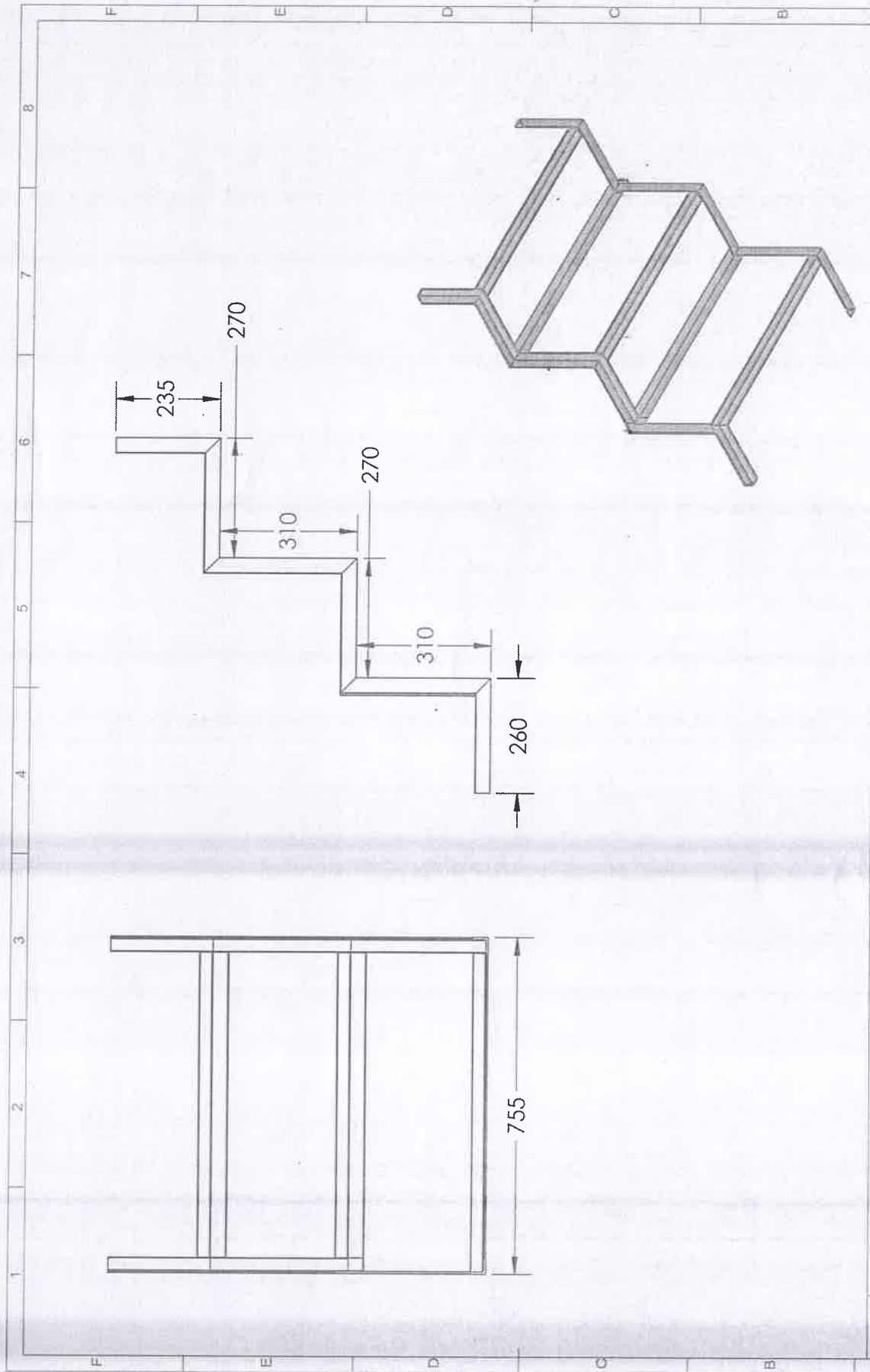
d	Dash panel	FRP (Flammability certificate as per IS 15016)
e	Roof panel	0.8 PPGL/ PVC Coated aluminum sheet(1mm/0.8mm)
f	Flooring	3 mm Aluminium chequered sheet
g	Grab rail	Two grab rails of 25 mm SS pipe with mat finish shall be provided longitudinally along the full length of gangway at a height of 1830 mm from the floor.
h	Window guard rail	Two window guard pipe of 16 mm SS with mat finish shall be provided outside the bus body as per bus body code.
i	Driver Partition frame	Driver partition shall be made of SS pipe (mat finish) frame with clear glass behind the driver seat in the top and chequered aluminum sheet at bottom. It should be suitably located so that the driver seat can be fully adjustable without any difficulty. A foot rest and handle shall be provided on the partition for the passenger sitting behind the partition.
j	Engine barricade	Stainless steel pipe (mat finish) guard rail (removable type) on LH side surrounding engine cover. Its height shall be 700 mm in left side reducing to 300 mm in rear of the bonnet enabling easy entry for the driver. It should not hinder the opening of the bonnet.
k	Stanchion pipe	Yes 3 Nos SS pipes (Mat finish)
i	Insulation	Appropriate non-flammable thermal insulation
<b>5</b>	<b>PASSENGER DOOR</b>	
a	Type	Pneumatically operated JK type door, The operation of door mechanism shall be as per AIS052 code. The door operating mechanism shall be mounded on top of the door and should be covered with paneling. LH side the SS pipe hand rails shall be fitted on the door.
b	Position	Just behind the Front Axle.
c	Size	As per bus body code
d	Foot step	All the foot step shall be designed and fabricated to the full width of entrance passage as per the drawing attached in <b>Annexure A1</b> and as per AIS 052 standards. It shall be covered with 3 mm aluminum chequered plates. (Dimensional tolerance is allowable with prior approval from LPSC)
e	Bottom foot step height	380 mm from ground
f	Emergency door	As per AIS052 standard
g	Driver door	Carriage type door with lifting glass. A reliable locking mechanism and dove tail shall be provided to avoid ratting sound. Both the striker plate and the lock should be mounted directly on the frame to avoid loosening over the course of time. Suitable foot step and handle shall be provided for easy access of driver. A full width and strong handle shall be provided on driver door and also in the cabin near steering wheel. Driver door bottom should be left open for water draining.

<b>6</b>	<b>PASSENGER SEAT</b>	
a	Seat Nos	46 to 50
b	Seat Layout	3 X 2 as per <b>Annexure B1</b>
c	Seat Model	Ergonomically designed blue color rexine covered HHR seat with thigh support, foot rest and common grab handle. Seat rear shall be covered with PPGL/ PVC Coated aluminum sheet. Seat shall be fabricated as per the drawing attached in the <b>Annexure C1</b>
d	Seat pitch	Minimum 800 mm, seat shall be mounted on floor structure not alone on the aluminum sheet.
e	Seat dimension	Three seater (L X W): 1200 mm, X 450 mm Two seater (L X W): 800 X 450 mm, Seat height from floor : 490 mm
f	Leg room	Minimum 280 mm
g	Driver seat	Standard wire wound driver seat.
<b>7</b>	<b>GLASSES AND BEADINGS</b>	
a	Windows	Sliding type (2 piece) 5mm toughned clear glass/ light gray (as approved) mounted in a black powder coated aluminum frame.
b	Window glass handle	Wider handle (80mm) without lock. (Ensure that handle will not get struck with seat frame)
c	Top – Fixed Glass	Bonded type with toughened dark grey colour
d	Wind screen Glass	Single piece laminated clear glass of 8.76mm mounted on rubber beading.
<b>8</b>	<b>ELECTRICAL</b>	
a	Head Lamp	Round beam adjustable type with dome 2 + 2 Nos
b	Tail lamp	OE
c	Step lamp	1 no on the left of the foot step
d	Roof lamp	5 + 2 Nos
e	Direction indicator	OE
f	Height marker lamps	Two at front and two at rear
g	Side marker lamps	As per bus body code
h	Fan	1 nos of Remi make 8" sweep electric fan for driver
i	Wiper	Bottom mounted, robust electrically operated
j	Horn	Roots Vibrosonic (HT & LT) electrical horn
k	Battery cut-off switch	OE on RH side of driver seat
l	Speakers	5nos(one for driver)shall be provided on the roof with individual switch near to the speaker. Wiring of the speaker shall be done separately and extended up to music system provision provided on top of the driver area. Master switch for the speakers shall be provided near the instrument panel.
m	LED display board	A programmable LED display board of size 300 X 150mm shall be provided on front left to display route numbers.
n	VTS fitting	Supply , installation, activation and tagging of AIS 140complied Transight make Vehicle location tracking system.
<b>9</b>	<b>FITMENTS</b>	

a	Mud flap rubber	4 nos mud flaps
b	Rear view mirror	2 nos convex, both the RVM shall be positioned to get clear view of rear side (As per MV rule)
c	Fire extinguisher	Powder type extinguisher to be provided as per bus code with bracket to hold it properly without making noise and vibration (Total 10 kg).
d	Fist aid box	1 nos
e	Inside mirror	1 nos
f	Number plates	Front and rear
g	Route board bracket	1 nos at front left
h	Document box	1 nos in driver cabin (Preferably on top of driver partition)
i	Wheel arch	4 nos
j	Propeller shaft bracket	A suitable bracket shall be provided for each shaft.
k	Water channel	Hindalco water channel, product no: 6256. Details attached as <b>Annexure D</b>
<b>10</b>	<b>OTHER SPECIFIC REQUIREMENTS</b>	
a	Battery box	Battery box shall be fabricated on LH side with flap door and lock arrangement. Battery carrier shall be sliding type with locking mechanism for holding the batteries. Carrier shall be locked in its position with 2 strong tower bolt on both sides. All the mechanism and inside of the box shall be coated with 3M under body coating to prevent rusting.
b	Engine cover	Engine bonnet will as per OE supply
c	Inspection cover	An inspection cover of suitable sizes shall be provided for the maintenance of gear box.
d	Tool box	Tool box made with GI structure and aluminum covering on LH side of engine cover with cushion padded seat, suitable back rest, and hand rest. Also a pad locking provision to be provided.
e	Barricade and foot step	Barricade and foot rest shall be provided a) In front of the 3 seater seat near to rear emergency door. b) Two seater seats (Both the seats) near to the passenger door. c) Single seater seat at the front most end.
f	Radiator opening	Sufficiently large rattle free inspection cover with good quality hinges and locking mechanism (400 SQCM) shall be provided on the front instrument panel for easy maintenance of radiator.
g	Air filter inspection cover	Sufficiently large rattle free inspection cover with good quality hinges and locking mechanism (400 SQCM) shall be provided for the inspection and maintenance of air filter.
h	Sticker on the bus	<b>Front wind shield:</b> "GOVT. OF INDIA" in English and "BharathSarkar" in Hindi shall be pasted inside the wind shield glass as shown below. White background and red lettering. <b>Rear glass:</b> "GOVT. OF INDIA" in English shall be pasted on the bottom of the rear glass. <b>Inside:</b> "Please close the window before leaving the bus" red

		sticker one on the driver glass partition and other two on the frame between the top bonded glass and window. <b>"Reserved for staff"</b> red sticker with an arrow towards front shall be pasted frame above the 6 <sup>th</sup> seat.
i	Driver door position	The driver door shall be positioned parallel to the driver seat so that driver can show the hand signal and can look through the window of driver door while reversing.
j	Front quarter glass	A sufficiently large quarter glass (approximate minimum size: 365 X 230 X 1100mm) shall be provided ahead of the driver door to increase the visibility while turning the vehicle. Width of a frame (wind shield frame) should be minimum as possible.
k	Wheel hump	Wheel hump construction should be avoided
l	Escape hatch	Escape hatch should be provided as per rules.
m	Hat rack	Hat rack may be avoided
<b>11</b>	<b>PAINTING</b>	
a	Paints	Exterior – Diamond white above floor level and spiral grey below floor level. Interior: seat frame shall be painted with grey or blue colour. Epoxy primer and PU paints of reputed manufacturers shall only be used.
12	GENERAL	
a	Dimensional tolerance	within the limit of bus body code or relevant rule is allowable.

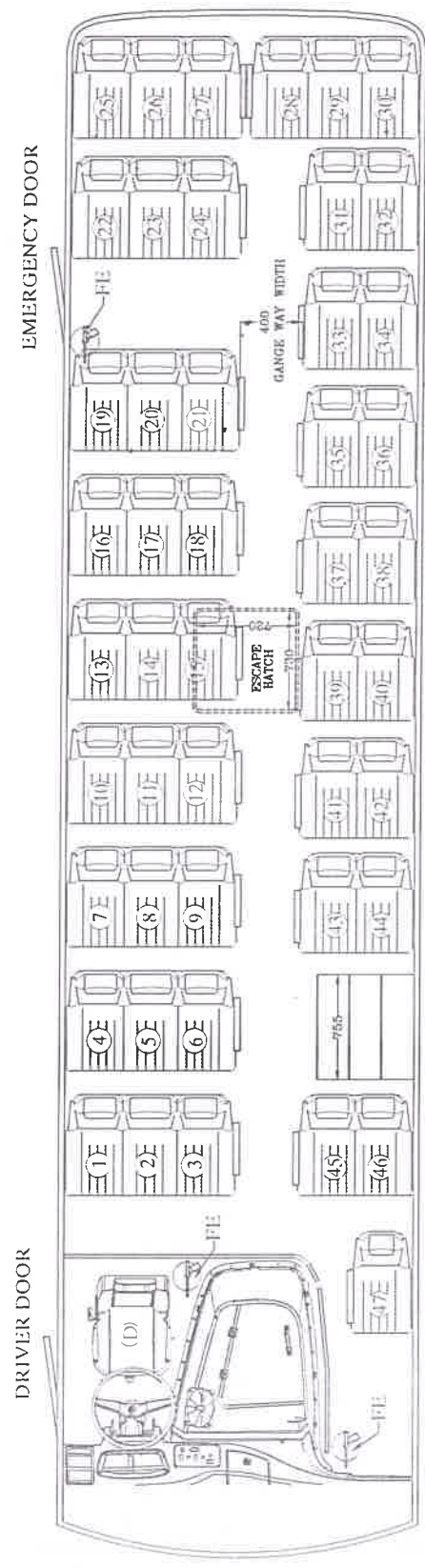
# Annexure - A1



REV. NO.	AMENDMENTS						
TITLE		PASSENGER FOOTBOARD					
MODEL		LPSC STAFF BUS					
DWG. NO.							
ALL DIMENSIONS ARE IN MM		REV. NO. 00		SCALE: 1:12		DATE: 25-01-2023	
SIZE		DRAWN		CHECKED		SHEET NO.: 1 OF 1	
A4						APPROVED	



ANNEXURE B1



TOP VIEW

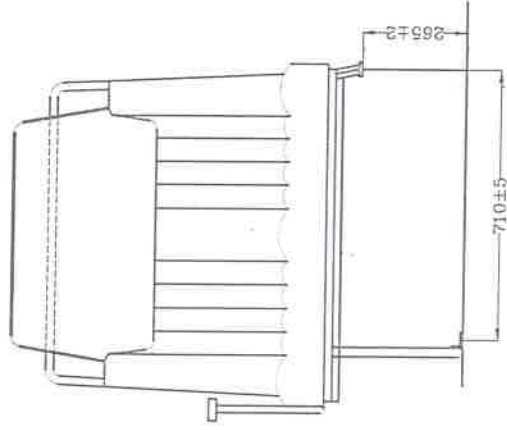
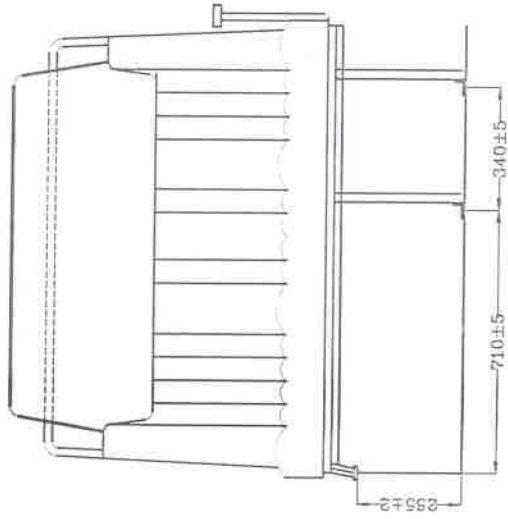
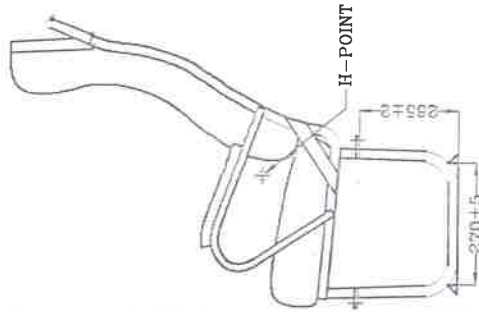
SEAT CONFIGURATION  
 RHS : (9 x 3) = 27  
 LIS : (1 x 3) + (8 x 2) = 19  
 TOTAL : 46+D

TOLERANCE FOR OVERALL LENGTH L, FOH, ROH etc. SHALL BE ±50 mm

Liquid Propulsion Systems Centre  
 Thiruvananthapuram, Kerala

TITLE	SEAT LAYOUT
MODEL	INITIAL DRAFT FOR LPSC STAFF BUS ON ASHOK LEYLAND 210" VIKING CHASSIS
DWG. NO.	REV. NO. 01
DATE: 28.02.2014	SCALE: 1:70
SIZE	DRAWN
	CHECKED
	APPROVED

ANNEXURE C4



SEAT ANGLE LEVEL.

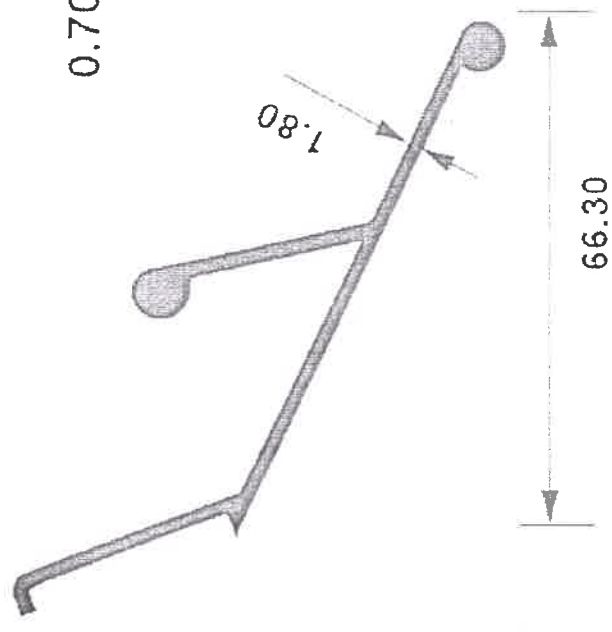
PLATFORM LEVEL.

Liquid Propulsion Systems Centre  
Thiruvananthapuram, Kerala

TITLE	SEAT
MODEL	LPS SC STAFF BUS SEAT
DWG. NO.	***
SIZE	A4
ALL DIMENSIONS ARE IN MM	SCALE: 1:50
DRAWN	CHECKED
DATE: 27.02.2023	APPROVED
REV. NO. 00	

6256

0.709 Kg/m



ANNEXURE LE - WATER CHANNEL

LIQUID PROPULSION SYSTEMS CENTRE	
TITLE	WATER CHANNEL
DO NOT SCALE THE DRAWING ALL DIMENSIONS ARE IN MM	

## ANNEXURE II

### SCOPE OF WORK, TERMS AND CONDITIONS

Sl. No	Description	Compliance Yes/No
	<b>SCOPE OF SUPPLY:</b>	
1	a Fabrication and supply of TYPE II SDX category fully built standard bus on "Ashok Leyland Viking 210" chassis by strictly complying with AIS:052 Phase II or latest bus code as per the specification attached Annexure I	
	<b>GENERAL DESIGN AND KEY REQUIREMENTS:</b>	
2	a Generally streamlined balanced bus body with elegant looking front show of aerodynamic design, single piece wind shield glass, a folded type pneumatically operated JK door just behind the front left wheel, full width complete foot step, flat platform floor construction (without wheel hump), etc.	
	<b>STATUTORY REGULATION TO BE FOLLOWED:</b>	
3	a The fabrication of bus body should comply with AIS 052 bus body code and its amendment as on date and in line with TYPE II SDX category of bus. The fabrication shall also comply with applicable automobile industry standard (AIS), CMVR 1989, KMVR and motor vehicle Act 1988 of Govt. of India.  The party shall have AIS 052 Phase II approvals for TYPE II SDX on "Ashok Leyland Viking 210" chassis. If the existing approval is not meeting our (LPSC's) requirements specified in the specification, the party shall take necessary extension on the existing approval to meet our specifications.  The party shall submit AIS 052 approval (Bus body building approval with compliance verified of AIS:052(Revision)-2008 or latest valid at the time of opening of the tender) for TYPE II SDX on "Ashok Leyland Viking 210" chassis, drawing and other related documents along with the quotation. If any statutory regulation is issued vide further amendment from ARAI, body builder is liable to take approval for the same and build our bus body as per the latest amendments so that vehicle can be registered without any objection by RTA. After delivery of the fully built vehicle at our site, if RTA suggests any modification to comply with AIS:052, you are liable to do the same at free of cost so that the vehicle can be registered.	
4		

		<b>COLLECTION AND DELIVERY:</b>	
	a	<p>The party shall collect the chassis from LPSC and delivered back the fully built bus to LPSC after completing the fabrication work and final clearance from our inspection team.</p> <p>The party shall submit <b>"Transits insurance policy"</b> from a reputed insurance agency for the period till the vehicle delivered back to LPSC.</p> <p>The cost of one Viking 210chassis is ₹. 26.5L and the party shall submit <b>"Bank guarantee"</b> towards the cost of the vehicles from a reputed bank for the period till the vehicle delivered back to LPSC.</p>	
		<b>INSPECTION</b>	
5	a	<p>Normally 3 stage inspection i.e., structural, paneling and finishing stages will be conducted by out inspection team during the body building work as follows. If necessary, we may also have pre-fabrication discussion.</p> <ul style="list-style-type: none"> <li>a) First stage inspection after completing all structural fabrications</li> <li>b) Second stage inspection after complete paneling and water leak testing of roof.</li> <li>c) Third stage inspection after painting and completing all works in all respect before delivery of the vehicle.</li> </ul> <p>During the inspection, any minor modification and corrective work if found necessary by the inspecting team, after completion of the modification only and next stage work can be started. Dispatch of the vehicle is allowed only after final inspection and clearance given by the inspection team.</p> <p>The party shall inform us about the stage inspection well in advance to enable us to depute our personnel for inspection.</p>	
		<b>PAYMENT TERMS</b>	
6	a	<p>50% of the payment shall be released after safe delivery of vehicle at LPSC and submission of all necessary documents for registration.</p> <p>Balance payment will be made after the successful completion of registration of the vehicle.</p>	
		<b>REGISTRATION OF VEHICLES</b>	
7	a	<p>All documents for registration shall be in the name of The Director LPSC, Trivandrum</p> <p>The party shall provide necessary assistance for registering the vehicles, if the RTO is raising any objection or clarification regarding the fabrication and approval, the party shall settle the issues or rectify the issues without any additional cost.</p>	

		<b>WARRANTY</b>	
8	a	The fully built bus shall be guaranteed for a period of one year from the date of delivery of the vehicle against all manufacturing defects, faulty workmanship, sub standard material etc. if any defects are noticed after acceptance of the vehicle during the warranty period, it shall be suitably rectified by you at your cost to the utmost satisfaction of us within the reasonable time. Repair work of the vehicle required during the warranty period shall be done by you at TOMD, LPSC, Valiamala using our facilities whenever necessary, if required you may take the vehicle to your premises to carry out repair and it shall be delivered back to TOMD, LPSC Valiamala free of cost.	
9		A work completion certificate and a drawing of the completed vehicle shall be supplied along with the vehicle. Which is required for registration of vehicles.	
10		The drawing of windscreen glass, sliding glass, fixed glasses, rear glass, structure drawing and finished vehicle with overall dimensions shall be submitted at the time of delivery of the vehicle (both as hard copy and soft copy).	
11		The party shall supply necessary spares for bus body repair works such as glasses, beadings, window channels, pneumatic items, electrical items etc. on payment basis till the vehicle is disposed from service (nearly 15 years).	
12		Any clarification regarding specification shall be obtained from us before fabrication.	
13		All body fabricating materials used shall be of reputed manufactures and shall be new, free of rust/corrosion. if required by the inspection team, the documents and test certificate of materials used shall be shown to the inspection team for verification.	
14		All other materials & electrical accessories used shall be of reputed manufactures. If any items used are found inferior by the inspection team, the same shall be replaced with recommended quality material.	
15		Parties shall have a min. of 5 Years experience in the field of bus body building of vehicles.	
		<b>DOCUMENTS TO SUBMITTED ALONG WITH THE QUOTATION</b>	
16	a	Self attested copy AIS:052 Phase II approvals for fabricating Type II SDX standard bus on Ashok Leyland Viking 210" chassis.	
	b	Photos of different AIS 052 approved front shapes proposed to be used.	
	c	Photos of different AIS 052 approved rear shapes proposed to be used.	

	d	Photos of driver door position taken from inside (opposite) of vehicle.	
	e	Photos of passenger seat as per our specification and photos of other approved models.	
	f	The photos taken from all sides (both interior and exterior) of approved bus of same category shall be enclosed with your quotation.	
	g	Compliance/ Acceptance of the specification given in annexure I . the party shall prepare the specification in Annexure I specifically mentioning the acceptance/compliance of each and every specification given in the annexure. If any of the specification cannot be complied with reason for non compliance.	
	h	Completely filled annexure II, compliance of scope of work and terms and conditions.	
	i	Completely filled compliance statement for commercial terms.	
		<b>PRECAUTIONS TO BE TAKEN DURING BODY BUILDING.</b>	
17	1	Body building instruction and CMVR requirements given by the bus chassis manufacturer M/s. Ashok Leyland Ltd., shall be followed during fabrication of bus.	
	2	Battery shall be removed and kept in safe location during body building. Its condition shall be checked regularly and if required, it shall be charged.	
	3	Wheel arch to tyres clearance shall be so provided as to avoid tyre fouling with the wheel arch even in extreme loaded conditions. Recommended vertical clearance is 135mm as measured in unladen condition	
	4	Working clearance required for drop arm movement, axle articulation, suspension movement, variation in propeller shaft drive lines, flexible pipes, bumper clearance. Etc., must be provided.	
	5	Precautions for electronic diesel control system (EDC) and Diesel Emission Fluid (DEF) during body building given by the vehicle manufacturer shall be followed strictly.	
	6	The EDC shall be disconnected from the harness and a dummy.	
	7	Extra pneumatic lines should be given via a cut off switch so as to prevent any unexpected air leak which affects the air pressure level.	
	8	During welding process, all electrical wires and air lines should be protected from welding spatter.	

INSTRUCTIONS FOR TWO PART TENDERS

1. We invite your offer duly signed, in TWO parts as follows:-

**PART- I : TECHNICAL & COMMERCIAL (Other than Price)**

**PART -II : PRICE BID**

**1.1 PART-I : TECHNICAL & COMMERCIAL**

1.1.1 **TECHNICAL:** The detailed Technical Specification and Commercial Terms such as taxes, duties payable, place of delivery, payment term, validity etc and scope of supply shall be covered in this part. Please enclose a copy of the details indicated in price quotation (**WITHOUT PRICES OR BY MASKING THE PRICE**) mainly to know the items/ specifications for which you have indicated prices in price bid. **This part should not contain prices.** The Technical and commercial part of the offer should be kept in a sealed envelope superscribing the following details.

**QUOTATION AGAINST TENDER NO AX25202203769901**

**DUE ON 15.06.2023 at 14.30 hrs IST**

**OPENING ON 15.06.2023 at 14.30 hrs IST**

**BUS BODY FABRICATION**

**PART I - TECHNICAL & COMMERCIAL**

**1.2. PART -II : PRICE BID**

1.2.1. This part shall contain **PRICE** details only.

1.2.2. The price for the item should be indicated item wise in this part. All the items/ specifications mentioned in the Technical Part should come here and prices indicated against each. The break-up for each item of supply or services should be indicated.

1.2.3. Whenever options are quoted, the same should also be indicated with quantity and unit rate separately. The prices are to be mentioned both in figures and in words. This part should also be kept in a sealed cover superscribing as follows:-

**QUOTATION AGAINST TENDER No. AX25 202203699301**

**DUE ON 15.06.2023 at 14.30 hrs IST**

**OPENING ON 15.06.2023 at 14.30 hrs IST**

**BUS BODY FABRICATION**

**PART II - PRICE BID**



THE TWO SEALED COVERS PREPARED AS ABOVE SHOULD BE KEPT IN ANOTHER ENVELOPE, SEALED AND SUPERSCRIBED AS UNDER:-

"Quotation against Tender No. AX25 202203769901 Due on 15.06.2023 14.30 hrs IST for BUS

BODY FABRICATION AT LPSC, VALIAMALA

TWO SEPARATE COVERS PART-1 & PART -II SHALL ADDRESS TO

SR. PURCHASE & STORES OFFICER  
Liquid Propulsion Systems Centre  
Valiamala (PO)  
Thriuvananthapuram- 695 547.

For any clarification you may contact us at following phone/Fax Nos.

Telephone : 0471 2567726/0471 2567727

Your offer should reach us on or before the due date and time i.e. 15<sup>th</sup> June at 14.30 hrs IST.

*Offers received after the due date and time will not be considered.*

*Offers received through fax or email shall not be considered.*

## संलग्नकAnnexure IV

### सामान्यनिबंधनएवंशर्तेंGeneral Terms and Conditions:

- 1) जहाँतकसार्वजनिकखरीदीआदेश, 2017 (मेकइनइंडियाकोप्राथमिकतादेतेहुए) केप्रावधानोंकेकार्यान्वयनकासंबंधहै, श्रेणी-I/श्रेणी-IIकेस्थानीयआपूर्तिकर्ताओं, खरीदप्राथमिकता, स्थानीयवस्तुओंकेसत्यापनआदिसंबंधमेंउद्योगसंवर्धनएवंआंतरिकव्यापारविभाग, वाणिज्यएवंउद्योगमंत्रालयद्वाराजारीकार्यालयआदेशसं. P-4502/2/2017-B.E-II दिनांक 15.06.2017 (आदेशसं.P-45021/2/2017-PP (BE-II) दिनांक 28.05.2018, आदेशसं. P- 45021/2/2017-PP (BE-II) दिनांक 29.05.2019, आदेशसं. P-45021/2/2017-PP (BE-II) दिनांक04.06.2020 तथाआदेशसं. P-45021/2/2017-PP (BE-II) 16.09.2020द्वाराआंशिकरूपसेसंशोधित)तथाइसकेउत्तरवर्तीसंशोधनभीइसनिविदापरलागूहैं।अतः बोलीलगानेवालोंसेअनुरोधहैकिवेनिविदाप्रस्तुतकरतेसमयइनकाअनुपालनसुनिश्चितकरें।  
As far as implementation of provision for Public Procurement (Preference to Make in India) Order, 2017 is concerned, the Office orders vide No. P-4502/2/2017-B.E-II dt 15.06.2017, which is partially modified by Order No.P-45021/2/2017-PP (BE-II) dt 28.05.2018, Order No. P- 45021/2/2017-PP (BE-II) dt 29.05.2019, Order No. P-45021/2/2017-PP (BE-II) dt 04.06.2020 and Order No. P-45021/2/2017-PP (BE-II) 16.09.2020 and subsequent Amendments issued by the Department of Promotion of Industries and Internal Trade, Ministry of Commerce and Industry regarding Class-I/Class-II local suppliers, Purchase preference, verification of local contents etc shall be applicable to this tender. Therefore, bidders are requested to ensure compliance of the same while submitting tenders.
- 2) निविदा में उल्लिखित आवश्यकताओं में 100%स्थानीय मदे हैं। अतः केवल भारतीयनिर्माता(श्रेणी-1)हीइसनिविदामेंभागलेसकतेहैं।जैसे,  
The tendered requirement is having local content of 100%. Hence, only Indian manufacturers (Class-I) can participate in this tenders. such as  
(1) स्थानीय वस्तुओं का प्रतिशतPercentage of Local content.  
(2) वे स्थान जहाँ, मूल्यवर्धन किया जाता है। Place where which the value addition is made.
- 3) **सूक्ष्म, लघु और मध्यम उद्यमोंकेलिएमूल्यप्राथमिकताPrice Preference to MSME's**  
सूक्ष्म, लघु और मध्यम उद्यमोंकेलिए सार्वजनिकखरीदनीतिकेअंतर्गतसूक्ष्म, लघु और मध्यम उद्यमोंको मूल्य प्राथमिकता दीजाएगी। नीति के प्रावधानों के अनुसार, सूक्ष्म, लघु और मध्यम उद्यम पंजीयन का दस्तावेजी प्रमाण प्रस्तुत करेंगे – जैसे, जिला उद्योग केंद्र (डी आई सी) या खादी एवं ग्राम उद्योग आयोग (के वी आई सी) या खादी एवं उद्योग बोर्ड (के वी आई बी) या कोइर बोर्ड या राष्ट्रीय लघु उद्योग आयोग या हस्तशिल्प एवं हथकरघा निदेशालय या उद्योग आधार ज्ञापन या अन्य एम एस एम ई मंत्रालय द्वारा विनिर्दिष्ट किसी निकाय के साथ पंजीयन।  
Price Preference shall be extended to the MSMEs under the Public Procurement Policy for MSMEs. Such MSME s shall produce documentary proof of registration as per provisions of the Policy ie: registration with District Industries Centre (DIC) or Khadi and Village Industries Commission (KVIC) or Khadi and Industries Board (KVIB) or Coir Board or National Small Industries Commission (NSIC) or Directorate of Handicrafts and Handlooms or UdyogAadhar Memorandum or any other body specified by Ministry of MSME
- 4) वित्तमंत्रालय, भारतसरकारद्वाराजारीका.ज्ञा. सं.F.9/4/2020-PPD दिनांक 12.11.2020केअनुसार, बोलीकेलिएप्रत्याभूतिघोषणा(प्रपत्रसंलग्नहै) प्रस्तुतकिया जानाचाहिए।  
Bid Security Declaration (format attached) should be provided as per OM No. F.9/4/2020-PPD dated 12.11.2020 issued by Ministry of Finance, Govt. of India

5) भुगतानकी शर्त**Payment Term**

हमारे साइट पर मद की प्राप्ति एवं स्वीकृति के 30 दिन के भीतर आर टी जी एस के जरिए 100%भुगतान करने की सामान्य शर्त है।

Our normal payment term is 100% payment through RTGS within 30 days of receipt and acceptance of the item at our site.

6) वारंटी**Warranty**

प्रस्तावितमदोंकेलिएवारंटी हमारे साइट पर मदों के संस्थापन/स्वीकृति की तिथि से न्यूनतम एकवर्षकीअवधिकेलिए होगी यानिविदा दस्तावेज में जैसा कि विनिर्दिष्ट हो।

Warranty for the offered item shall be from the date of installation/acceptance of the item at our site for a minimum period of one year or as specified in the tender document.

7) आईजीएसटीप्रतिशतकृपया विनिर्दिष्टकरें, यदिआपकेप्रस्तावमेंहो।

Please specify IGST percentage, if any, in your offer

8) परिनिर्धारित हर्जाना**Liquidated Damages:**

यदि आपूर्ति अवधि के भीतर आदेशित सामग्रियों की आपूर्ति नहीं हो पाती है तो अनापूर्ति सामग्रियों के लिए 0.5% प्रति सप्ताह की दर से परिनिर्धारित हर्जाना राशि (विलंबित अवधि के लिए आदेशित संविदा मूल्य का अधिकतम 10%) आपके बिल से काट ली जाएगी।

If the ordered items are not supplied within the delivery schedule, LD shall be levied from your bill @ 0.5% per week for the undelivered items subject to a maximum of 10% of the order value for the delayed period.

9) निष्पादनबैंकगारंटी**Performance Bank Guarantee**

विभागद्वाराप्रदत्त फॉर्मेटकेअनुसार,आपको आपूर्तिकेसमयप्रणालीकेनिष्पादनकेलिए राष्ट्रीयकृत बैंक/अनुसूचित बैंक से आदेशित संविदा मूल्य की 10%राशि पी बी जी जमा करनी होगी, जो मान्यतावारंटीअवधिकेसमापन से 60 दिनोंतक वैध रहेगी।

You have to submit a PBG from a Nationalized / Scheduled Bank for 10% of the order value towards the performance of the system at the time of supply valid till the completion of warranty period plus 60 days as per the format provided by the Department.

याOR

वारंटीअवधिकेसमापन से 60 दिनोंतक आदेशित संविदामूल्यकी10% राशि रोक कर रखीजाएगी।

10% OF THE ORDER VALUE SHALL BE WITH HELD TILL THE COMPLETION OF WARRANTY PERIOD PLUS 60 DAYS.

10) प्रतिभूतिजमा राशि (मात्र `5 लाख के ऊपर मूल्य की संविदा के लिए)

**Security Deposit(only for order value above Rs.5 Lakh)**

आपको आदेशके विश्वसनीय निष्पादन के लिए आदेश प्राप्त होने के 20 दिन के भीतर आदेशित संविदा मूल्य के 10% की बैंक गारंटी देनी होगी, जो आदेशानुसार कार्यक्षेत्र के समापन से साठ दिनों तक वैध रहेगा। (आदेश की शर्तों के अनुसार, आदेश के संतोषजनक निष्पादन के तुरंत बाद यह राशि आपको वापस कर दी जाएगी। कार्य निष्पादित न करने/खराब निष्पादित करने की स्थिति में राशि जब्त कर ली जाएगी।)

You have to furnish a Bank Guarantee for 10% of the order value within 20 days of receipt of Order towards the faithful execution of the order valid till the completion of the scope of work as per order plus sixty days. (This will be returned to you immediately on execution of the order satisfactorily as per order terms. In case of non-performance / poor performance, the amount will be forfeited).

11). **Arbitration:** Disputes, if any shall be referred to the One-Man Arbitrator appointed by the parties by mutual consent in accordance with the rules and procedure of Arbitration and Conciliation Act, 1996 as amended from time to time, whose decision shall be final and binding on both the parties.

## 12. प्रस्तावकी वैधता-अवधि Offer Validity

(a) प्रस्तावों की वैधता-अवधि, निविदा खुलने की तिथि से 90 दिनों तक होगी (यदि निविदा एकल-भाग हो)।

The validity of the offers should be 90 days (in case of single part tender) from the date of opening of the tenders.

(b) प्रस्तावों की वैधता-अवधि, निविदा खुलने की तिथि से 120 दिनों तक होगी (यदि निविदा द्विभाग हो)।

The validity of the offers should be 120 days (in case two part tender) from the date of opening of the tenders.

नोट:- अल्पावधिक वैधता वाली निविदा-प्रस्तावों का मूल्यांकन के लिए विचार नहीं किया जाएगा।

Note: - Tenders having shorter offer validity will not be considered for evaluation.

**वाणिज्यिक शर्तों के लिए अनुपालन विवरण**  
**COMPLIANCE STATEMENT FOR COMMERCIAL TERMS**  
**(मूल्य प्रस्ताव के साथ भरा जाए एवं प्रस्तुत किया जाए)**

**To be filled and furnished along with your quotation**

क्रम सं. SI No.	विवरण Description (वाणिज्यिक निबंधन एवं शर्तें Commercial terms & conditions)	कॉलम सं. (2) का अनुपालन (हाँ/नहीं) Compliance to Col. (2) [YES/NO]	टिप्पणी Remarks
(1)	(2)	(3)	(4)
1.	पैकिंग व अग्रेषण शुल्क, यदि कोई है। P & F charges, if any. (यदि अतिरिक्त के रूप में उल्लेख किया गया है तो कृपया टिप्पणी कॉलम में प्रतिशत एवं राशिका उल्लेख करें) If mentioned as EXTRA, please mention the percentage or amount in Remarks column)		
2.	मालभाड़ा शुल्क, यदि कोई है। Freight charges, if any. (यदि अतिरिक्त के रूप में उल्लेख किया गया है तो कृपया टिप्पणी कॉलम में प्रतिशत एवं राशिका उल्लेख करें) (If mentioned as EXTRA, please mention the percentage or amount in Remarks column)		
3.	जीएसटी GST (यदि अतिरिक्त के रूप में उल्लेख किया गया है तो कृपया टिप्पणी कॉलम में प्रतिशत एवं राशिका उल्लेख करें) (If mentioned as EXTRA, please mention the percentage or amount in Remarks column)		
4.	क्या आप एक पंजीकृत विक्रेता हैं? (कृपया जीएसटी संख्या लिखें) Are you a registered vendor? (Please mention GST No.)		
5.	आपूर्ति की शर्त Delivery Term • एलपीएससी, वलियमला के लिए FOR LPSC, VALIAMALA		
6.	आपूर्ति-अवधि Delivery Period (यदि निविदा में किसी विशिष्ट आपूर्ति-अवधि का उल्लेख किया गया है तो कृपया उसका अनुपालन करें। यदि सहमत नहीं है तो, कृपया टिप्पणी कॉलम में अपनी आपूर्ति-अवधि का उल्लेख करें।) If any specific delivery period is mentioned in the tender, please comply the same. If not agreed, please mention your delivery period in remarks column)		
7.	भुगतान Payment: स्वदेशी आपूर्तिकर्ता/INDIGENOUS SUPPLIERS: मालों की अच्छी स्थिति में प्राप्ति एवं स्वीकृति के उपरांत 30 दिनों के अंदर आर टी जी एस के माध्यम से शत-प्रतिशत भुगतान 100% payment through RTGS within 30 days after receipt and		

	<p>acceptance of the item in good condition.</p> <p><b>नोटNOTE:</b> कृपया बैंक का नाम, शाखा, आईएफएससी एवं लेखा संख्या का उल्लेख करें।</p> <p><b>Please mention your Bank name, Branch, IFSC &amp; Account number</b></p>	
8.	<p><b>परिनिर्धारित हर्जाना Liquidated Damages (LD):</b></p> <p>विनिर्दिष्ट समय के भीतर आपूर्ति में विलंब या आपूर्ति अवधि में विस्तार की स्थिति में, अनापूर्ति सामग्री के आदेशित मूल्य का 0.5% प्रति कैलेंडर सप्ताह के लिए परिनिर्धारित हर्जाना राशि (अनापूर्ति सामग्री के आदेशित मूल्य का अधिकतम 10%) हम आप से वसूलेंगे। (यह अनिवार्य अनुच्छेद है। स्वीकृति की पुष्टि करें।)</p> <p>In case of delay in delivery within the specified time or any extension thereof, we shall recover as liquidated damages, a sum of 0.5% of the order value of the undelivered item for each calendar week of delay, subject to a maximum of 10% of the order value of the undelivered item. <b>(This is a mandatory clause. Confirm acceptance.)</b></p>	
9.	<p><b>प्रतिभूति जमा राशि Security Deposit (SD):</b></p> <p>आपको आदेश प्राप्त होने के 10 दिनों के भीतर आदेशित संविदा मूल्य का 10% के प्रतिभूति जमानत राशि बैंक गारंटी के जरिए प्रस्तुत करनी होगी, जो क्रय आदेश के समापन की तिथि के बाद 60 दिनों तक वैध रहेगी। क्रय आदेश के पूर्ण रूप से सफल निष्पादन के बाद रोक ली गई जमानत प्रतिभूति राशि लौटा दी जाएगी।</p> <p>You shall submit, within 10 days of receipt of the Order, a SD @ 10% of the value of the order obtained through bank guarantee or fixed deposit receipt, valid for a period of 60 days beyond the date for completion of the purchase order. The amount retained as SD will be refunded after the purchase order is successfully executed in all respects.</p>	
10.	<p><b>प्रस्ताव की वैधता-अवधि Validity of Offer:</b></p> <p>निविदा खुलने की तिथि से मूल्य प्रस्ताव की न्यूनतम-वैधता अवधि निम्नानुसार होगी:</p> <p>Minimum validity of quotation from the date of opening of the tender shall be as follows:</p> <ul style="list-style-type: none"> <li>द्वि-भाग निविदा: 120 दिन Two-part tender: 120 days</li> <li>खुली/लोक/सीमित निविदा (एकल भाग): 90 दिन Open/Public/Limited Tender (Single part): 90 days</li> </ul>	

**नोटNOTE:**

- आपके द्वारा प्रस्तुत निविदा अनिवार्य रूप से हस्ताक्षरित होनी चाहिए। जिन निविदाओं पर हस्ताक्षर नहीं होंगे, उन्हें सरसरी तौर पर खरीद प्रक्रिया से बाहर कर दिया जाएगा।

**The tender submitted by you shall be compulsorily signed. Unsigned tenders will be summarily excluded from the procurement process.**

- भारत सरकार का विभाग होने के कारण, हमारे खर्चे पर बीमा की आवश्यकता नहीं है। कृपया यह सुनिश्चित करें कि उचित सड़क/जल/वायु परिवहन के अनुकूल पैकिंग के साथ आदेशित मर्दों की सुरक्षित आपूर्ति की जाए।

**Being a Govt. of India Dept., insurance is not required at our cost. Please ensure safe delivery of the ordered item with proper ROAD/ SEA/ AIR worthy packing.**

- आदेश जारी किए जाने के बाद सभी प्रपत्र (पीबीजी, एसडी, आईबी) विभाग द्वारा प्रदान किए जाएंगे।

**AH formats (PBG, SD, IB) shall be provided by the Dept., in case of placement of order.**

ई एम डी के बदले, बोली लगाने वालों से ली जाने वाली बोली प्रतिभूति घोषणा का प्रपत्र  
FORMAT OF BID SECURITY DECLARATION FROM BIDDERS IN LIEU OF EMD  
(बोली लगाने वालों के पत्र शीर्ष पर On Bidders Letter head)

..... मद/कार्य के लिए निविदा सं .....

में भाग ले रहा/रही/रहे मैं/हम, मेसर्स ..... के प्राधिकृत हस्ताक्षरी  
एतद्-द्वारा घोषणा करता हूँ/करती हूँ/करते हैं:

I/We, the authorized signatory of M/s.....

Participating in the subject tender No: ..... for the item / job of

....., do hereby declare:

- (i) कि मैंने/हमने निविदा के निमित्त अपना प्रस्ताव प्रस्तुत करते वक्त ई धरोहर राशि की छूट प्राप्त की है और उक्त निविदा के लिए मेरे/हमारे द्वारा धरोहर राशि जमा नहीं की जा रही है।

That I/we have availed the benefit of waiver of EMD while submitting our offer against the subject Tender and no EMD being deposited for the said tender .

- (ii) कि वैधता की अवधि के दौरान यदि मैं/हम बोली वापस लेता हूँ/ लेती हूँ/ लेते हैं या उसे संशोधित करता हूँ/करती हूँ/करते हैं या मैं/हम दिए गए समय सीमा के अंतर्गत औपचारिक संविदा करार करने में असफल हो जाता हूँ/जाती हूँ/जाते हैं या मैं/हम निविदा शर्तों/संविदा का उल्लंघन करता हूँ/करती हूँ/करते हैं, तो धरोहर राशि की जब्ती दंड स्वरूप की जा सकती है और मैं/हम इस प्रकार के उल्लंघन की तिथि से एक वर्ष की अवधि के लिए द्रव नोदन प्रणाली केंद्र/इसरो, वलियमला, तिरुवनंतपुरम के सभी भावी संविदाओं की बोलियों/ठकों के लिए आयोज्य ठहरा दिया जाऊंगा/जाऊंगी/जाएंगे।

That in the event we withdraw / modify our bid during the period of validity Or I /we fail to execute formal contract agreement within the given timeline Or I /we fail to submit a Performance Security within the given timeline Or I /we commit any breach of Tender Conditions/Contract which attracts penal action of forfeiture of EMD and I /we will be suspended from being eligible for bidding / award of all future contract(s) of Liquid Propulsion Systems Centre/ISRO, Valiamala, Thiruvananthapuram for a period of one year from the date of committing such breach.

बोली लगाने वाला प्राधिकृत हस्ताक्षरकर्ता का हस्ताक्षर एवं मोहर  
Signature and Seal of Authorised Signatory of bidder

प्राधिकृत हस्ताक्षरकर्ता का नाम .....

Name of Authorised Signatory .....

कंपनी का नाम .....

Company Name

.....



भारत सरकार GOVERNMENT OF INDIA  
अंतरिक्ष विभाग DEPARTMENT OF SPACE  
द्रव नोदन प्रणाली केंद्र LIQUID PROPULSIONS SYSTEMS CENTRE  
क्रय व भंडार अनुभाग PURCHASE AND STORES DIVISION

प्रपत्र संForm No. अं.वि.DOS:पी एमPM:20

निविदा की निबंधन एवं शर्तें  
TERMS AND CONDITIONS OF TENDER

1. निविदाएँ सीलबंद लिफाफों में उनके ऊपरसंबंधित निविदा संख्या तथा उनके खुलने की नियत तिथि लिखकर भेजी जाए। प्रत्येक लिफाफे में मात्र एक ही निविदा भेजी जाए।  
Tenders should be sent in sealed envelopes superscribing the relevant tender No, and the due date of opening. Only one tender should be sent in each envelope.
2. विलंब से भेजी गई निविदाओं पर विचार नहीं किया जाएगा।  
Late tenders and delayed tenders will not be considered.
3. कानूनी रूप से अधिरोप्य तथा दावा करनेयोग्य बिक्री कर तथा/या अन्य शुल्क/लेवी, स्पष्ट रूप से अलग-अलग दर्शाए जाने चाहिए।  
Good & Service Tax and/or other duties/levies legally leviable and intended to be claimed should be distinctly shown separately in the tender.
4. भारत सरकार के विभाग होने के कारण, इस कार्यालय को चुंगी तथा ऐसे ही अन्य स्थानीय करों के भुगतान से छूट प्राप्त है। निविदाकार यह सुनिश्चित करेंगे कि संबंधित क्रय अधिकारी से ऐसे करों के भुगतान से बचने के लिए आवश्यक छूट प्रमाण-पत्र प्राप्त किया जा चुका है।  
As a Government of India Department, this office is exempted from payment of Octroi and similar local levies. Tenderers shall ensure that necessary Exemption Certificates are obtained by them from the Purchase Officer concerned to avoid any payment of such levies.
5. a) आपका मूल्य प्रस्ताव निविदा खुलने की तिथि से 90 दिनों तक या निविदा पूछताछ में विनिर्दिष्ट किसी अन्य अवधि तक वैध रहेगा। विनिर्दिष्ट वैधता-अवधि से कम वैधता-अवधि वाला मूल्य प्रस्ताव प्रापण प्रक्रिया से हटा दिया जाएगा।  
Your quotation should be valid for 90 days from the date of opening of the tender or any other period as specified in the tender enquiry. Offer with validity lesser than that specified is liable for exclusion from the procurement process.

b) संलग्न निविदा प्रपत्र में विनिर्दिष्ट इकाइयों के अनुसार कीमतें प्रस्तावित की जाएगी। निविदा प्रपत्र में विनिर्दिष्ट इकाइयों को छोड़कर, जब अन्य इकाइयों में प्रस्ताव दिए जाते हैं तो इकाइयों के दोनों सेटों के बीच संबंध सूचित किया जाना चाहिए।

Prices are required to be quoted according to the units indicated in the annexed tender form. When quotations are given in terms of units other than those specified in the tender form, relationship between the two sets of units must be furnished.

6. (a) प्रस्ताव के साथ सभी उपलब्ध तकनीकी साहित्य, पुस्तक-सूची तथा विनिर्देशनों के समर्थन में अन्य

ऑफ़े और सामानों के विवरण प्रस्तुत किए जाने चाहिए।

All available technical literature, catalogues and other data in support of the specifications and details of the items should be furnished along with the offer.

(b) यदि नमूनों की मांग की जाए, तो निविदाकारों द्वारा उन्हें निःशुल्क उपलब्ध कराया जाना चाहिए, तथा किसी भी कारण से, किसी प्रकार की हानि या क्षति के लिए क्रेता उत्तरदायी नहीं होगा। निविदा अस्वीकृत होने की स्थिति में निविदाकार को स्वयं के खर्च पर नमूनों को हटाना पड़ेगा।

Samples, if called for, should be submitted free of all charges by the tenderer and the Purchaser shall not be responsible for any loss or damage thereof due to any reason whatsoever. In the event of non-acceptance of tender, the tenderer will have to remove the samples at his own expense.

(c) आपके प्रस्ताव में प्रस्तावित सामानों के अनुमानित शुद्ध तथा सकल भार दर्शाए जाने चाहिए। यदि आकार-संबंधी विवरण उपलब्ध हों तो उन्हें आपके प्रस्ताव में दर्शाया जाना चाहिए।

Approximate net and gross weight of the items offered shall be indicated in your offer. If dimensional details are available the same should also be indicated in your offer.

(d) **विनिर्देशन Specifications:** प्रस्तावित सामान पूरी तरह से हमारे विनिर्देशनों के अनुरूप होने चाहिए। यदि कोई परिवर्तन हो तो, निविदाकार द्वारा इसे स्पष्ट रूप से मूल्य-प्रस्ताव में दर्शाया जाना चाहिए। निविदाकार प्रस्तावित सामानों का मेक/प्रकार एवं संख्या दर्शाएगा तथा जहाँ आवश्यक हो, प्रस्ताव के साथ पुस्तिका-सूची, तकनीकी साहित्य तथा नमूने प्रदान करेगा। आपूर्ति किए जाने वाले सामानों के साथ, जहाँ आवश्यक हो, जांच प्रमाण पत्र भी प्रेषित किए जाने चाहिए। जहाँ कहीं हमारे विनिर्देशनों में विकल्प आमंत्रित किए गए हों, निविदाकार को ऐसे सभी विकल्पों पर ध्यान देना चाहिए। जहाँ कहीं विशेष रूप से उल्लिखित हो, निविदाकार उपयुक्त जवाब के साथ विनिर्देशनों में परिवर्तन की सलाह दे सकता है।

Stores offered should strictly confirm to our specifications. Deviations, if any, should be clearly indicated by the tenderer in his quotation. The tenderer should also indicate the Make/Type number of the stores offered and provide catalogues, technical literature and samples, wherever necessary, along with the

quotations. Test Certificates, wherever necessary, should be forwarded along with supplies. Wherever options have been called for in our specifications, the tenderer should address all such options. Wherever specifically mentioned by us, the tenderer could suggest changes to specifications with appropriate response for the same.

7. क्रेता न्यूनतम या किसी निविदा को स्वीकार करने के लिए बाध्य नहीं होगा तथा निविदा को पूर्ण रूपेण या निविदा के किसी भाग या प्रस्तावित मात्रा के हिस्सों को स्वीकार करने का अधिकार उसे ही होगा तथा निविदाकार प्रस्तावित दरों पर उनकी आपूर्ति करेंगे।

The purchaser shall be under no obligation to accept the lowest or any tender and reserves the right of acceptance of the whole or any part of the tender or portions of the quantity offered and the tenderers shall supply the same at the rates quoted.

8. यदि कोई संशोधन किए गए हों, तो उन्हें अवश्य सत्यापित किया जाना चाहिए। सभी राशियाँ अंकों के साथ-साथ शब्दों में भी लिखी जाएगी। जहाँ कहीं शब्दों एवं अंकों में लिखित राशि में अंतर हो तो शब्दों में लिखित राशि ही सही मानी जाएगी।

Corrections, if any, must be attested. All amounts shall be indicated both in words as well as in figures. Where there is difference between amount quoted in words and figures, amount quoted in words shall prevail.

9. क्रेता द्वारा मांगे जाने पर निविदाकार को संबंधित अंचल के आयकर अधिकारी द्वारा उचित रूप से प्रतिहस्ताक्षरित कार्यालय के मोहर के साथ आयकर बेबाकी प्रमाण-पत्र प्रस्तुत करना चाहिए।

The tenderer should supply along with his tender, the name of his bankers as well as the latest Income-Tax clearance certificate duly countersigned by the Income-Tax Officer of the Circle concerned under the seal of his office, if required by the Purchaser.

10. प्रस्तावित दरों पर प्रस्तावित मात्रा से 25% तक की अतिरिक्त मात्रा सफल निविदाकार को क्रयादेश देने का सर्वाधिकार क्रेता के पास है।

The Purchaser reserves the right to place order on the successful tenderer for additional quantity up to 25% of the quantity offered by them at the rates quoted.

11. माँग किए जाने पर, निविदा हस्ताक्षरित करनेवाले व्यक्ति का प्राधिकार प्रस्तुत किया जाना चाहिए।

The authority of the person signing the tender, if called for, should be produced.

## निविदा कीनिबंधन- शर्तेंTERMS & CONDITIONS OF TENDER

### 1. परिभाषाएँDEFINITIONS:

- (a) 'त्रिक्रेता' शब्द का अर्थ होगा-भारत के राष्ट्रपति तथा उनके उत्तराधिकारी या उनके द्वारा नियुक्त किए गए व्यक्ति।

The term 'Purchaser' shall mean the President of India or his successors or assigns.

(b) 'संविदाकार' शब्द का अर्थ होगा-वह व्यक्ति, फर्म या कंपनी जिसे/जिन्हें सामानों की आपूर्ति के लिए आदेश दिया गया है तथा इसमें संविदाकार के उत्तराधिकारी, प्रतिनिधि, वारिस, कार्यपालक तथा प्रशासक शामिल माने जाएंगे, जब तक संविदा द्वारा उन्हें बाहर नहीं रखा गया हो।

The term 'Contractor' shall mean, the person, firm or company with whom or with which the order for the supply of stores is placed and shall be deemed to include the Contractor's successors, representative, heirs, executors and administrators unless excluded by the Contract.

c) 'सामान' शब्द का अर्थ होगा-संविदाकार क्रयादेश में विनिर्दिष्ट संविदा के अंतर्गत जिन्हें आपूर्ति करने की सहमति देता है, जिसमें संयंत्रों एवं मशीनरी की स्थापना तथा उनके अनुवर्ती परीक्षण शामिल होंगे, यदि क्रयादेश में ऐसा शर्त दिया गया हो।

The term 'Stores' shall mean what the Contractor agrees to supply under the Contract as specified in the Purchase Order including erection of plants & machinery and subsequent testing, should such a condition is included in the Purchase Order.

d) 'क्रयादेश' शब्द का अर्थ होगा-सामान, संयंत्र या उपकरण या उनके किसी हिस्से की आपूर्ति के लिए संविदाकार के मूल्य प्रस्ताव या प्रस्ताव स्वीकार करने वाले पत्र में उल्लिखित या संदर्भित निबंधन-शर्तों पर क्रेता की ओर से स्वीकृति की सूचना देने वाले उचित रूप से प्राधिकृत अधिकारी द्वारा हस्ताक्षरित पत्र।

The term 'Purchase Order' shall mean the communication signed on behalf of the Purchaser by an Officer duly authorised intimating the acceptance on behalf of the Purchaser on the terms and conditions mentioned or referred to in the said communication accepting the tender or offer of the Contractor for supply of stores or plant, machinery or equipment or part thereof.

## 2. कीमत PRICES:

निविदा प्रस्तुत करने वाले फर्म की कीमतों को प्राथमिकता दी जाएगी। जहां कहीं भी निविदाकार द्वारा मूल्य परिवर्तन संबंधी अनुच्छेद पर जोर दिया जाता है उचित उच्चतम सीमा के साथ मूल्य प्रस्ताव प्रस्तुत किया जाना चाहिए। निविदा के समय परिकल्पित आधार मूल्य द्वारा ऐसे प्रस्ताव अनिवार्य रूप से समर्थित होने चाहिए तथा ऐसे किसी/किन्हीं परिवर्तन/परिवर्तनों का सूत्र भी प्रस्तुत किया जाना चाहिए।

Tender offering firm prices will be preferred. Where a price variation clause is insisted upon by a tenderer, quotation with a reasonable ceiling should be submitted. Such offers should invariably be supported by the base price taken into account at the time of tendering and also the formula for any such variation/s.

## 3. प्रतिभूति जमा राशि SECURITY DEPOSIT:

निविदा स्वीकृति के बाद, क्रेता के विकल्प पर एवं उसके द्वारा निर्धारित अवधि के भीतर संविदाकार नकद रूप में या किसी अन्य रूप में जैसा कि क्रेता निर्धारित करे, संविदा के मूल्य के दस प्रतिशत से अधिक नहीं

(जैसा कि क्रेता विनिर्दिष्ट करेगा), प्रतिभूति जमा राशि उनके पास जमा करेगा। यदि क्रेता द्वारा निविदाकार को प्रतिभूति जमा राशि जमा करने के लिए आमंत्रित किया जाता है तथा निर्धारित अवधि के भीतर संविदाकार प्रतिभूति जमा राशि जमा करने में असफल हो जाता है तो ऐसी असफलता से संविदा-भंग की स्थिति उत्पन्न हो जाएगी, और इस संविदा के अनुच्छेद 10(b) के उप-अनुच्छेद (ii) और (iii) के संदर्भ में संविदाकार के जोखिम पर क्रेता अनुबंधित सामानों के पुनर्क्रय के लिए अन्य प्रबंध करने या इस संविदा-भंग से होने वाले नुकसानों की क्षतिपूर्ति वसूलने का हकदार होगा।

On acceptance of the tender, the Contractor shall, at the option of the Purchaser and within the period specified by him, deposit with him, in cash or in any other form as the Purchaser may determine, security deposit not exceeding ten percent of the value of the Contract as the Purchaser shall specify. If the Contractor is called upon by the Purchaser to deposit, 'Security' and the Contractor fails to provide the security within the period specified, such failure shall constitute a breach of the Contract, and the Purchaser shall be entitled to make other arrangements for the re-purchase of the stores Contracted at the risk of the Contractor in terms of Sub-Clause (ii) and (iii) of clause 10(b) hereof and/or to recover from the Contractor, damages arising from such cancellation.

#### 4. गारंटी एवं प्रतिस्थापन GUARANTEE & REPLACEMENT:

(a) संविदाकार को यह गारंटी देनी होगी कि आपूर्तिसामान, सामान, कार्य कुशलता एवं कार्य निष्पादन के लिए निर्धारित विनिर्देशनों का पूरी तरह से अनुपालन करते हैं।

The Contractor shall guarantee that the stores supplied shall comply fully with the specifications laid down, for material, workmanship and performance.

(b) सामानों की स्वीकृति के बाद बारह महीनों की अवधि के लिए, यदि सामान की दोषपूर्ण डिजाइन या कारीगरी के कारण उनमें कोई खामियाँ पाई जाती हैं या उचित उपयोग के अधीन उनमें खामियाँ उत्पन्न हो जाती हैं, तो संविदाकार अपनी लागत पर उन खामियों का उपाय करेगा, बशर्ते क्रेता (जो लिखित में यह बताएंगे कि सामान या उनका कोई भाग किस संदर्भ में दोषपूर्ण हैं) द्वारा उन सामानों की स्वीकृति की तिथि से चौदह महीनों के भीतर उसे ऐसा करने के लिए बुलाया जाता है।

For a period of twelve months after the acceptance of the stores, if any defects are discovered therein or any defects therein found to have developed under proper use, arising from faulty stores design or workmanship, the Contractor shall remedy such defects at his own cost provided he is called upon to do so within a period of 14 months from the date of acceptance thereof by the purchaser who shall state in writing in what respect the stores or any part thereof are faulty.

(c) विक्रेता की राय में, यदि दोषपूर्ण सामानों को बदलना या नवीकृत करना आवश्यक हो जाता है तो बदलने या नवीकृत करने का यह कार्य संविदाकार द्वारा निःशुल्क किया जाएगा, बशर्ते सामानों की स्वीकृति की तिथि से चौदह महीनों की उक्त अवधि के भीतर क्रेता द्वारा खराबी की सूचना संविदाकार को दे दी जाती है।

If, in the opinion of the purchaser, it becomes necessary to replace or renew any defective stores such replacement or renewal shall be made by the Contractor free of all costs to the purchaser, provided the notice informing the Contractor of the defect is given by the purchaser in this regard within the said period of 14 months from the date of acceptance thereof.

(d) यदि संविदाकार उन खामियों को दुरुस्त करने में असफल हो जाता है तो क्रेता सामानों को अस्वीकृत करने या संविदाकार के खर्चे परसंपूर्ण सामान यादोषपूर्ण सामानों के किसी भाग की मरम्मत करने या उन्हें बदलने का अधिकार रखता है।

Should the Contractor fail to rectify the defects, the purchaser shall have the right to reject or repair or replace at the cost of the Contractor the whole or any portion of the defective stores.

(e) क्रेता की ओर से किसी पूर्व अनुमोदन या स्वीकृति या निरीक्षण के बावजूद, इस संबंध में कि संविदाकार द्वारा आपूर्तित सामान दोषपूर्ण हैं या नहीं या उक्त बारह महीनों की अवधि के दौरान खामी उत्पन्न हुई है या खामियों की प्रकृति से नवीकरण या प्रतिस्थापन आवश्यक हो जाता है, क्रेता का निर्णय अंतिम तथा संविदाकार के ऊपर बाध्यकारी होगा।

The decision of the purchaser notwithstanding any prior approval or acceptance or inspection thereof on behalf of the purchaser, as to whether or not the stores supplied by the Contractor are defective or any defect has developed within the said period of 12 months or as to whether the nature of the defects requires renewal or replacement, shall be final, conclusive and binding on the Contractor.

(f) कार्य-निष्पादन बैंक गारंटी Performance Bank Guarantee:

उपर्युक्त अनुच्छेद 4(a) से (e) तक दर्शाए गए गारंटी शर्तों को पूरा करने के लिए, संविदाकार को क्रेता के विकल्प पर, लदान दस्तावेजों के साथ संविदा मूल्य के 10% की समकक्ष राशि के लिए क्रेता द्वारा स्वीकृत बैंक से एक बैंक गारंटी (क्रेता द्वारा निर्धारित) प्रस्तुत करनी होगी। संविदा के सभी मायनों में कार्य निष्पादन एवं पूर्णता के बाद संविदाकार को बैंक गारंटी बिना ब्याज के लौटा दी जाएगी।

To fulfil guarantee conditions outlined in clause 4 (a) to (e) above, the Contractor shall, at the option of the purchaser, furnish a Bank Guarantee (as prescribed by the purchaser) from a Bank approved by the purchaser for an amount equivalent to 10% of the value of the Contract along with first shipment documents. On the performance and completion of the Contract in all respects, the Bank Guarantee will be returned to the Contractor without any interest.

(g) क्रेता के कार्य-स्थल पर सामानों के आगमन की तिथि से बारह महीनों की अवधि के लिए सभी प्रतिस्थापन सामानों की गारंटी दी जाएगी।

All the replacement stores shall also be guaranteed for a period of 12 months from the date of arrival of the stores at purchaser's site.

(h) जबकि 12 महीने की गारंटी सभी सामानों पर लागू होती है, उन मामलों में जहाँ हमारे विनिर्देशनों द्वारा गारंटी की अधिक अवधि की मांग की गई हो, तो उन मामलों में पैरा 4(b) एवं (c) में संदर्भित 14 महीनों की अवधि लागू होगी, जो माँगी गई गारंटी अवधि से दो महीने अधिक है।

Even while the 12 months guarantee applies to all stores, in case where a greater period is called for by our specifications then such a specification shall apply in such cases the period of 14 months referred to in para 4 (b) & (c) shall be the 'asked for' guarantee period plus two months.

5. **पैकिंग अग्रेषण एवं बीमा PACKING FORWARDING & INSURANCE:**

पर्याप्त एवं उचित रूप से पैक किए जा रहे सामानों को ट्रांजिट खतरों से बचाकर, गंतव्य पर उनका सुरक्षित आगमन सुनिश्चित करते हुए रेलमार्ग, सड़क मार्ग, समुद्र मार्ग या हवाई मार्ग से उनके परिवहन के लिए संविदाकार जिम्मेदार होगा। पैकेजों की पैकिंग तथा मार्किंग संविदाकार द्वारा स्वयं के खर्चे पर की जाएगी। क्रेता ट्रांजिट बीमाके लिए अलग से भुगतान नहीं करेगा, क्योंकि पारवहन में सभी खतरों की जिम्मेदारी विशिष्ट रूप से संविदाकार की होती है तथा क्रेता संविदा के अनुसार, केवल उन्हीं सामानों के लिए भुगतान करेगा, जो वास्तव में सही स्थिति में प्राप्त होंगे।

The Contractor will be held responsible for the stores being sufficiently and properly packed for transport by rail, road, sea or air to withstand transit hazards and ensure safe arrival at the destination. The packing and marking of packages shall be done by and at the expense of the Contractor. The purchaser will not pay separately for transit insurance, all risks in transit being exclusively of the Contractor and the Purchaser shall pay only for such stores as are actually received in good condition in accordance with the Contract.

6. **प्रेषण DESPATCH:**

परिवहन अधिकारियों से, प्रेषित सामानों को विनिर्दिष्ट करते हुए, सही रसीद प्राप्त करने की जिम्मेदारी संविदाकार की है। भेजे जाने वाले माल को सही रेलवे/लॉरी रसीद के साथ प्रेषित किया जाना चाहिए। यदि माल किसी और तरीके से भेजा गया हो, तो यह संविदाकार के जोखिम पर होगा। क्रेता सामानों की कम आपूर्ति या सामानों की गलत आपूर्ति की जिम्मेदारी नहीं लेगा, जब 'कथित तौर पर अंतर्विष्ट' आधार पर उन्हें बुक किया गया हो। क्रेता संविदा के अनुसार, केवल उन्हीं सामानों के लिए भुगतान करेगा, जो वास्तव में सही स्थिति में प्राप्त होंगे।

The Contractor is responsible for obtaining a clear receipt from the Transport Authorities specifying the goods despatched. The consignment should be despatched with clear Railway Receipt/Lorry Receipt. If sent in any other mode, it shall be at the risk of the Contractor. Purchaser will take no responsibility for short deliveries or wrong supply of goods when the same are booked on 'said to contain' basis. Purchaser shall pay for only such stores as are actually received by them in accordance with the Contract.

7. **परीक्षण प्रमाण-पत्र TEST CERTIFICATE:**

जहाँ कहीं आवश्यक हो, प्रेषण दस्तावेजों के साथ परीक्षण प्रमाण-पत्र भेजे जाने चाहिए।

Wherever required, test certificates should be sent along with the despatch documents.

#### 8. सामानों की स्वीकार्यताACCEPTANCE OF STORES:

(a) संविदाकार के स्वयं के जोखिम, खर्च एवं लागत पर, क्रेता द्वारा निर्दिष्ट स्थलों पर निरीक्षण हेतु सामान भेजे जाएंगे।

The stores shall be tendered by the Contractor for inspection at such places as may be specified by the purchaser at the Contractor's own risk, expense and cost.

(b) स्पष्ट रूप से यह सहमति है कि अनुबंधित सामानों की स्वीकृति क्रेता के द्वारा अंतिम स्वीकृति की दशा में होगी, जिसका निर्णय अंतिम होगा।

It is expressly agreed that the acceptance of the stores Contracted for, is subject to final approval by the purchaser, whose decision shall be final.

(c) क्रेता की राय में, यदि सामान क्रय आदेश में निर्धारित कार्य-निष्पादन या गुणवत्ता आवश्यकताओं को पूरा नहीं करते हैं, तो उन्हें अस्वीकृत किया जा सकता है या क्रेता द्वारा निर्धारित मूल्य पर स्वीकृत किया जा सकता है तथा अस्वीकृति या मूल्य-निर्धारण के संबंध में उनका निर्णय अंतिम तथा संविदाकार पर बाध्यकारी होगा।

If, in the opinion of the purchaser, all or any of the stores that do not meet the performance or quality requirements specified in the Purchase Order, they may be either rejected or accepted at a price to be fixed by the purchaser and his decision as to rejection and the prices to be fixed shall be final and binding on the Contractor.

(d) यदि अनुच्छेद 8(c) के अनुसार, आपूर्तित सारे सामान या उनके किसी भाग को अस्वीकृत किया जाता है, तो क्रेता को, संविदाकार को सूचित कर या बिना सूचित किए अस्वीकृत सामानों के स्थान पर संविदाकार के खर्च पर अनुबंधित आवश्यक कार्य-निष्पादन एवं गुणवत्ता को पूरा करने वाले सामान खरीदने की स्वतंत्रता होगी, बशर्ते उपर्युक्त सामानों की अस्वीकृति की तिथि से छः महीनों के भीतर अन्य आपूर्तिकार से क्रय या क्रय हेतु करार किया जाता है।

If the whole or any part of the stores supplied are rejected in accordance with Clause No. 8 (c) above, the purchaser shall be at liberty, with or without notice to the Contractor, to purchase in the open market at the expense of the Contractor stores meeting the necessary performance and quality Contracted for in place of those rejected, provided that either the purchase, or the agreement to purchase, from another supplier is made within six months from the date of rejection of the stores as aforesaid.

#### 9. अस्वीकृत सामान REJECTED STORES:



अस्वीकृत सामान संविदाकार के जोखिम एवं जिम्मेदारी पर गंतव्य पर पड़े रहेंगे। यदि अस्वीकृति पत्र प्राप्त होने कि तिथि से चौदह दिनों की अवधि के भीतर संविदाकार से उनके निपटान का निर्देश नहीं प्राप्त होता है तो क्रेता या उनके प्रतिनिधि को अपने विवेक पर संविदाकार के जोखिम एवं खर्च पर, (संविदाकार द्वारा वास्तव में देय मालभाड़ा) अस्वीकृत सामानों को संविदाकार के पते पर रद्दी करने, बेचने या भेजने का अधिकार होगा।

Rejected stores will remain at destination at the Contractor's risk and responsibility. If instructions for their disposal are not received from the Contractor within a period of 14 days from the date of receipt of the advice of rejection, the purchaser or his representative has, at his discretion, the right to scrap or sell or consign the rejected stores to Contractor's address at the Contractor's entire risk and expense, freight being payable by the Contractor at actuals.

10. आपूर्ति एवं परिनिर्धारित नुकसान DELIVERY AND LIQUIDATED DAMAGES:

(a) क्रयदेश में अनुबंधित सामानों की आपूर्ति के समय एवं दिनांक संविदा के सार माने जाएंगे तथा सामानों की आपूर्ति निर्धारित तिथियों या उनसे पहले अवश्य की जानी चाहिए।

The time for and the date of delivery of the stores stipulated in the Purchase Order shall be deemed to be the essence of the Contract and delivery must be completed on or before the specified dates.

(b) यदि संविदाकार, आपूर्ति के लिए निर्धारित अवधि के भीतर सामानों या उनका कोई प्रेषित माल आपूर्ति करने में असफल हो जाता है तो क्रेता को विकल्पतः यह हक होगा कि

Should the Contractor fail to deliver the stores or any consignment thereof within the period prescribed for such delivery, the purchaser shall be entitled at his option either.

(i) यथोक्त उन सामानों के लिए जिन्हें आपूर्ति करने में संविदाकार असफल रहा है, करार में सहमत (दंड राशि के जरिए नहीं) हर्जाना राशि 0.5% प्रति सप्ताह की दर से वसूले, ऐसे सामानों की आपूर्ति के दौरान न्यूनतम 10% राशि बकाए के रूप में रह सकती है, या

to recover from the Contractor as agreed liquidated damages and not by way of penalty, a sum of 0.5% per week of the price of any stores which the Contractor has failed to deliver as aforesaid or during which the delivery of such store may be in arrears subject to a minimum of 10%, or

(ii) उन सामानों के संदर्भ में, जिनकी आपूर्ति निश्चित नहीं है, संविदा रद्द किए बिना अनापूर्ति सामानों या ऐसे ही विवरणों के अन्य सामानों (क्रेता के मत में, जो अंतिम मत है, जहाँ विवरणों का सही-सही अनुपालन करने वाले अन्य सामान सहजता से प्राप्य नहीं हैं) को संविदाकार के खाते से एवं उसके जोखिम पर संविदाकार को बिना सूचित किए कहीं और से खरीदे, या

to purchase from elsewhere, without notice to the Contractor on the account and at the risk of the Contractor, the stores not delivered or others of a similar

description (where others exactly complying with the particulars, are not, in the opinion of the purchaser, readily procurable, such opinion being final) without cancelling the Contract in respect of the consignment (s) not yet due for delivery, or

(iii) संविदा या उसका कोई भाग रद्द कर दें और यदि वांछित हो, तो संविदाकार के जोखिम एवं लागत पर अनापूर्ति सामानों या ऐसे ही विवरणों के अन्य सामानों (क्रेता के मत में, जो अंतिम मत है, जहाँ विवरणों का सही-सही अनुपालन करने वाले अन्य सामान सहजता से प्राप्य नहीं हैं) को खरीदें या उनका खरीद प्राधिकृत करें।

to cancel the Contract or a portion thereof and if so desired to purchase or authorise the purchase of stores not so delivered or others of a similar description (where others exactly if complying with the particulars are not, in the opinion of the purchaser, readily procurable, such opinion final) at the risk and cost of the Contractor.

अनुच्छेद 10(b)के उप अनुच्छेद (ii) एवं (iii) के अंतर्गत कार्रवाई की स्थिति में, उक्त कारण से क्रेता को हुए नुकसान के लिए संविदाकार जिम्मेदार होगा, बशर्ते पुनर्क्रय या यदि पुनर्क्रय का कोई करार है तो ऐसा करार उक्त असफलता की तिथि से छः महीने के भीतर किया जाता है। लेकिन ऐसी चूक के निमित्त पुनर्क्रय पर संविदाकार किसी भी लाभ का हकदार नहीं होगा। ऐसे पुनर्क्रय का तरीका और इसकी विधि क्रेता के विवेक पर होगी, जिनका निर्णय अंतिम होगा। ऐसे पुनर्क्रय के लिए दोषी संविदाकार को सूचना देना क्रेता के लिए आवश्यक नहीं होगा। संविदाकार के द्वारा संविदा भंग के कारण हुए नुकसानों की वसूली का क्रेता का अधिकार बिना किसी पक्षपात के होगा।

In the event of action being taken under sub-clause (ii) & (iii) of clause 10 (b) above, the Contractor shall be liable for any loss which the purchaser may sustain on that account, provided that the re-purchase or if there is an agreement to re-purchase then such agreement is made within six months from the date of such failure. But the Contractor shall not be entitled to any gain on such re-purchase made against default. The manner and method of such re-purchase shall be at the discretion of the purchaser, whose decision shall be final. It shall not be necessary for the purchaser to serve a notice of such re-purchase on the defaulting Contractor. This right shall be without prejudice to the right of the purchaser to recover damages for breach of Contract by the Contractor.

#### 11. समय विस्तार EXTENSION OF TIME:

जैसे ही यह स्पष्ट हो जाता है कि संविदा तिथियों का अनुसरण नहीं किया जा सकता है, तो संविदाकार द्वारा क्रेता को आवेदन भेजा जाएगा। किसी कारण से, जिसे क्रेता समय विस्तार का उचित आधार मानता हो (और उसका निर्णय अंतिम होगा) संविदाकार सही समय पर सामानों की आपूर्ति करने में यदि असफल हो जाता है, तो क्रेता, नुकसानों की वसूली के अधिकार के प्रति बिना किसी पूर्वाग्रह के, संविदा के अनुच्छेद 10 के अंतर्गत, उचित परिस्थितियों के आधार पर समय विस्तार की अनुमति दे सकता है।

As soon as it is apparent that the Contract dates cannot be adhered to, an application shall be sent by the Contractor to the purchaser. If failure, on the part of the Contractor, to deliver the stores in proper time shall have arisen from any cause which the purchaser may admit as reasonable ground for an extension of the time (and his decision shall be final) he may allow such additional time as he considers it to be justified by circumstances, of the case without prejudice to the purchaser's right to recover liquidated damages under clause 10 thereof.

**12. संयंत्र एवं मशीनरी का परिनिर्माण ERECTION OF PLANT & MACHINERY:**

संविदा के शर्तों के अनुसार, जहाँ किसी संयंत्र या मशीनरी के परिनिर्माण की जिम्मेदारी संविदाकार की हो तथा यदि संविदाकार क्रेता द्वारा निर्धारित अवधि में ऐसा करने में असफल हो जाता है, तो क्रेता के पास यह अधिकार होगा कि वह अपनी पसंद के किसी स्रोत से वह परिनिर्माण पूरा करवाए। ऐसी स्थिति में, क्रेता द्वारा किए गए किसी अतिरिक्त खर्च को वहन करने की जिम्मेदारी संविदाकार की होगी। हालांकि क्रेता द्वारा की गई ऐसी किसी भी कार्रवाई के कारण, संविदाकार किसी भी प्रकार के लाभ का हकदार नहीं होगा।

Wherever erection of a plant or machinery is the responsibility of the Contractor as per the terms of the Contract and in case the Contractor fails to carry out the erection as and when called upon to do so within the period specified by the purchaser, the purchaser shall have the right to get the erection done through any source of his choice. In such an event, the Contractor shall be liable to bear any additional expenditure that the purchaser is liable to incur towards erection. The Contractor shall, however, not be entitled to any gain due to such an action by the purchaser.

**13. भुगतान PAYMENT:**

क्रेता द्वारा सामानों की प्राप्ति, निरीक्षण एवं स्वीकृति के बाद ही संविदाकार का बिल भुगतान के लिए पारित किया जाएगा।

Contractor's bill will be passed for payment only after the stores have been received, inspected and accepted by the Purchaser.

**14. भुगतान का तरीका MODE OF PAYMENT:**

सामान्यतः स्वीकृत सामानों हेतु भुगतान उनकी प्राप्ति की तिथि से 30 दिनों के भीतर किया जाएगा।

Normally payment will be made for the accepted stores within 30 days from the date of receipt of the materials.

**15. देय राशि की वसूली RECOVERY OF SUM DUE:**

जब कभी संविदाकार के पास इस संविदा से या के अंतर्गत निकलने वाले धन के भुगतान का कोई दावा, चाहे वह चुकाया गया हो या नहीं, निकलता है तो क्रेता संविदाकार द्वारा जमा की गई पूरी सुरक्षा निधि या उसका हिस्सा जब्त करने का अधिकार रखता है (यदि संविदा के निमित्त सुरक्षा निधि ली गई है)। सुरक्षा राशि

अपर्याप्त होने की स्थिति में या संविदाकार से यदि सुरक्षा निधि नहीं ली गई हो, तो शेष या वसूली योग्य कुल राशि, संविदाकार को तब देय किसी भी राशि से काटी जा सकती है अथवा क्रेता के साथ इस या किसी अन्य संविदा के अंतर्गत वह राशि उसके बाद से संविदाकार के पास ऋण हो जाएगी। यदि यह राशि वसूली योग्य पूरी राशि पूरा करने हेतु अपर्याप्त है, तो संविदाकार माँग करने पर शेष देय राशि का भुगतान क्रेता को करेगा। इसी प्रकार, क्रेता के साथ किसी संविदा के अंतर्गत संविदाकार से यदि क्रेता किसी प्रकार का दावा (चाहे वह चुकाया गया हो या नहीं) करता है, तो संविदा के अंतर्गत संविदाकार को देय सुरक्षा निधि सहित सभी धन तब तक रोक कर रखे जाएंगे जब तक क्रेता के ऐसे दावों पर अंतिम फैसला नहीं दिया जाता या जब तक संविदाकार द्वारा उनका भुगतान नहीं कर दिया जाता।

Whenever any claim for the payment of, whether liquidated or not, money arising out of or under this Contract against the Contractor, the purchaser shall be entitled to recover such sum by appropriating in part or whole, the security deposited by the Contractor, if a security is taken against the Contract. In the event of the security being insufficient or if no security has been taken from the Contractor, then the balance or the total sum recoverable as the case may be, shall be deducted from any sum then due or which at any time thereafter may become due to the Contractor under this or any other Contract with the purchaser. Should this sum be not sufficient to cover the full amount recoverable, the Contractor shall pay to the purchaser on demand the remaining balance due. Similarly, if the purchaser has or makes any claim, whether liquidated or not, against the Contractor under any other Contract with the purchaser, the payment of all moneys payable under the Contract to the Contractor including the security deposit shall be withheld till such claims of the purchaser are finally adjudicated upon and paid by the Contractor.

#### 16. **क्षतिपूर्ति INDEMNITY:**

संविदाकार को यह वारंटी देनी होगी और यह माना जाएगा कि उसने वारंटी दी है कि इस संविदा के अधीन आपूर्ति सभी सामान पेटेंट, कॉपीराइट या ट्रेडमार्क के उल्लंघन से मुक्त हैं, तथा वह क्रेता को हर समय उन दावों की क्षतिपूर्ति करेगा, जो दावे डिज़ाइन के पेटेंट पंजीयन द्वारा संरक्षित किसी अधिकार के उल्लंघन के लिए सामानों के संदर्भ में किए जाते हैं तथा वह किसी भी कारण से आपूर्ति असफल करने वाली घटनाओं या नुकसानों का जोखिम एवं संविदा की पूर्णता के लिए उसके द्वारा प्रयुक्त सभी साधनों की पर्याप्तता की जिम्मेदारी उठाएगा।

The Contractor shall warrant and be deemed to have warranted that all stores supplied against this Contract are free and clean of infringement of any Patent, Copyright or Trademark, and shall at all times indemnify the purchaser against all claims which may be made in respect of the stores for infringement of any right protected by Patent Registration of design or Trade mark and shall take all risk of accidents or damage which may cause a failure of the supply from whatever cause arising and the entire responsibility for sufficiency of all means used by him for the fulfilment of the contract.

17. आपूर्तिकर्ता की ओर से निबंधन एवं शर्तें:

**COUNTER TERMS AND CONDITION OF SUPPLIERS:**

जहाँ कहीं आपूर्तिकर्ता द्वारा मुद्रित या साइक्लोस्टाइल्ड स्थिति में निबंधन एवं शर्तें प्रस्तावित की जाती हैं तो उन्हें क्रेता द्वारा तब तक स्वीकृत न माना जाए जब तक इस संदर्भ में विशिष्ट लिखित स्वीकृति प्राप्त न कर ली जाए।

Where counter terms and conditions printed or cyclostyled conditions have been offered by the supplier, the same shall not be deemed to have been accepted by the Purchaser, unless specific written acceptance thereof is obtained.

18. सामग्रियों के क्रय के लिए सुरक्षा निधि **SECURITY FOR PURCHASE OF MATERIALS:**

संविदा के उचित निष्पादन के लिए क्रेता द्वारा प्राप्त मालों एवं संपत्तियों के लिए पर्याप्त सुरक्षा के निमित्त सुरक्षा निधि, सफल निविदाकार को बैंक गारंटी के रूप में या क्रेता द्वारा माँगे गए किसी अन्य रूप में प्रस्तुत करनी होगी।

Successful tenderer will have to furnish in the form of a bank guarantee or any other form as called for by the purchaser towards adequate security for the materials and properties provided by the Purchaser for the due execution of the Contract.

\*\*\*